

**产品特性/Product Features**

- IP6K9K
- 80A 85°C
- 12-750VDC
- 1000MΩ (1000VDC) , IEC 60664-1

**触点参数 / Contact parameters**

		1a	
		≤1m (at 20A)	
		80A	
		2×10 <sup>-5</sup>	
		<b>450V型</b>	<b>750V型</b>
		1000VDC	1000VDC
		800A(320VDC)1	800A(320VDC)1
		36kW	60kW
1)		1×10 <sup>-4</sup> 450VDC, 80A	1×10 <sup>-4</sup> 750VDC, 80A
		7.5×10 <sup>-4</sup> 450VDC, 80A	7.5×10 <sup>-4</sup> 450VDC, 80A
2)		80A:	
		120A:30min	
		160A:1min	
		300A:10s	

1) 23°C, 0.6s:5.4s.

2) 85°C, 20 mm<sup>2</sup>.

性能参数 / Performance parameters

		1000MΩ(1000VDC)
		3000VAC 1min
		3000VAC 1min
( )		≤30ms
( )		≤10ms
		196m/s <sup>2</sup>
		490m/s <sup>2</sup>
		10Hz ~ 500Hz 49m/s <sup>2</sup>
		5% ~ 85%RH
		-40°C ~ 85°C
		5M
		225g

线圈参数 / Coil parameters

VDC	VDC	VDC	W
12	9	1.2	5.5W
24	≤18	2.4	6W

-40°C ~ 85°C)

订货标记示例

HFEVC - H Y 080 / 750 - 12 - C N SM -

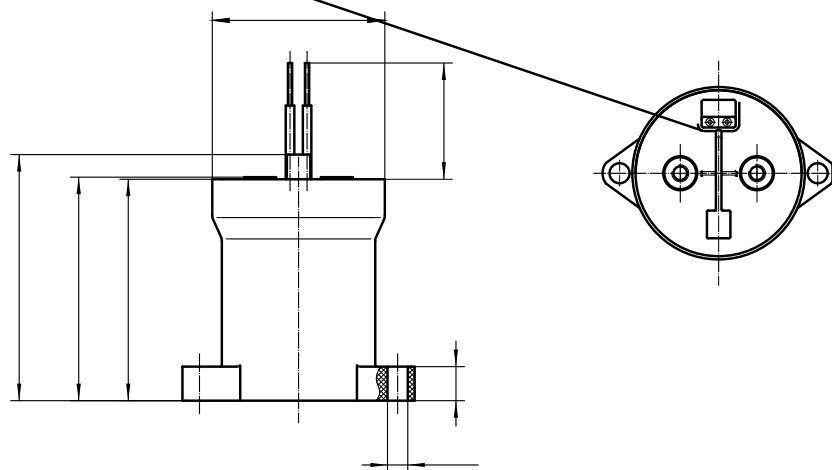
1 2 3 4 5 6 7 8 9 10

- 1 HFEVC:
- 2 T: H:
- 3 F: Y:
- 4 080: 80A
- 5 DC Blank: 450V 750: 750V
- 6 12: DC12V 24: DC24V PWM: 9V~24V
- 7 C: L:
- 8 Blank: N:
- 9 Blank: SM:
- 10

1)

外形图、安装孔尺寸 / Outline drawing, mounting hole size

/Unit mm



Ø

性能曲线图 Performance Curve Graph

85°C

注意事项 Notes

M5	Ø 3.5mm	M4螺钉	3N·m~4N·m
M8	Ø 7.0~7.5mm	M4螺钉	3N·m~4N·m

2  
3 3mm

20mm

