

环



方安

HIGH-VOLTAGE EPOXY CONTACTOR

PG`

2

2

产品特性/Product Features

IP6K9K

250A 85°C长时间载流能力

12-750VDC

1000MΩ (1000VDC) , IEC 60664-

1

PWM

i

C

性能参数 / Performance parameters	
	1000MΩ(1000VDC)
	3000VAC 1min
	3000VAC 1min
()	≤30ms
()	≤10ms
	196m/s ²
	490m/s ²
	10Hz~500Hz 49m/s ²
	5%~85%RH
	-40°C~85°C
	/
	400g

线圈参数 / Coil parameters			
9~24V	9	≥4.5	26W 3W
-40°C~85°C)			

订货标记示例

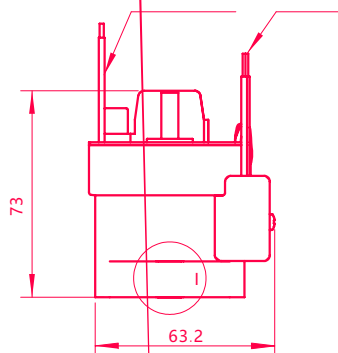
HFEVC - H Y 250 / 750 - 12 - C N SM -

1	2	3	4	5	6	7	8	9	10	
1	HFEVC:									
2	T:								H:	
3	F:								Y:	
4	250: 250A									
5	DC Blank: 450V			750: 750V						
6	12: DC12V			24: DC24V			PWM: 9V~24V			
7	C:				L:					
8	Blank:				N:					
9	Blank:				SM:					
10										

1)

外形图、安装孔尺寸 / Outline drawing, mounting hole size

/Unit mm



性能曲线图 Performance graph

1

[Redacted]					
M5螺钉 (内螺纹)	3N·m				

M8

2

100m

3

3mm